

Definition file:

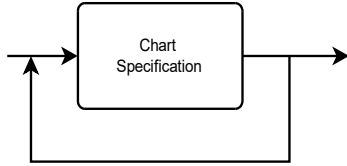
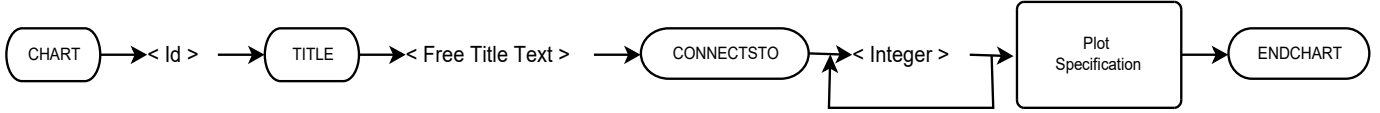
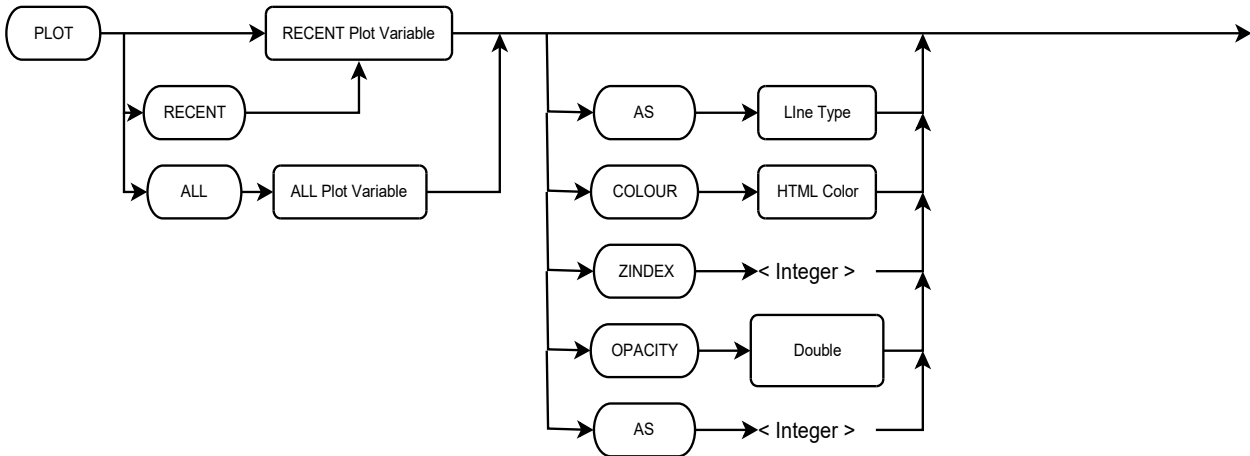


Chart Specification:



Plot Specification:



RECENT Plot Variable:

Any of:
 "InsideTemp", "Dewpoint", "ApparentTemp", "FeelsLike", "WindChill", "HeatIndex", "Temperature", "Humidex",
 "WindGust", "WindSpeed",
 "Bearing", "AverageBearing",
 "UV", "SolarRadiation", "TheoreticalSolarMax",
 "RainFall", "RainRate",
 "Pressure",
 "Humidity", "InsideHumidity",
 "EvapoTranspiration"

ALL Plot Variable:

Any of:
 "MinTemp", "MaxTemp", "AverageTemp", "WindChill", "MaxDewpoint", "MinDewpoint", "MaxFeelsLike", "MinFeelsLike",
 "MaxGust", "WindRun", "WindSpeed",
 "UVIndex", "SolarRadiation", "SunHours",
 "RainFall", "MaxRainRate",
 "MinBarometer", "MaxBarometer",
 "MinHumidity", "MaxHumidity",
 "HeatingDegreeDays", "CoolingDegreeDays", "EvapoTranspiration"

Line Type:

Any of:
 "Line", "SpLine", "Area", "Column", "Scatter"

HTML Color:

Any valid HTML color by name or hexadecimal number

Double:

< Integer > · < Integer >